

**UNI-ROYAL**  
厚聲集團

# DATA SHEET

**Product Name** High Power Flat Wire-wound Fixed Resistors

---

**Part Name** KNHB Series

## **Uniroyal Electronics Global Co., Ltd.**

88 Longteng Road, Economic & Technical Development Zone, Kunshan, Jiangsu, China

Tel +86 512 5763 1411 / 22 /33

Email [marketing@uni-royal.cn](mailto:marketing@uni-royal.cn)

Manufacture Plant Uniroyal Electronics Industry Co., Ltd.

Aeon Technology Corporation

Royal Electronic Factory (Thailand) Co., Ltd.

Royal Technology (Thailand) Co., Ltd.

## 1. Scope

- 1.1 This datasheet is the characteristics of High Power Flat Wire-wound Fixed Resistors manufactured by UNI-ROYAL.
- 1.2 All materials are inorganic and non-flammable
- 1.3 Can withstand High Voltage pulse in short-time
- 1.4 Can use in single or in-piles
- 1.5 Application: Charging or discharging resistance of electrical equipment such as elevator

## 2. Part No. System

The standard Part No. includes 14 digits with the following explanation:

- 2.1 High Power Flat Wire-wound Fixed Resistors the 1<sup>st</sup> to 4<sup>th</sup> digits are to indicate the product type.

Example: KNHB= High Power Flat Wire-wound Fixed Resistors

- 2.2 5<sup>th</sup>~6<sup>th</sup> digits:

- 2.2.1 This is to indicate the wattage or power rating. To dicting the size and the numbers,

The following codes are used; and please refer to the following chart for detail:

W=Normal Size; S=Small Size; U=Extra Small Size; “1”~“G”to denotes“1”~“16”as Hexadecimal:

1/16W~1/2W (<1W)

Wattage	1/2	1/3	1/4	1/5	1/6	1/8	1/10	1/16
Normal Size	W2	W3	W4	W5	W6	W8	WA	WG
Small Size	S2	S3	S4	S5	S6	S8	SA	SG

1W~16W ( $\geq 1W$ )

Wattage	1	2	3	5	7	8	9	10	15
Normal Size	1W	2W	3W	5W	7W	8W	9W	AW	FW
Small Size	1S	2S	3S	5S	7S	8S	9S	AS	FS

- 2.3 The 7<sup>th</sup> digit is to denote the Resistance Tolerance. The following letter code is to be used for indicating the standard Resistance Tolerance.

J=±5% K=±10%

- 2.4 The 8<sup>th</sup> to 11<sup>th</sup> digits is to denote the Resistance Value.

- 2.4.1 For the standard resistance values of E-24 series, the 8<sup>th</sup> digit is “0”, the 9<sup>th</sup> & 10<sup>th</sup> digits are to denote the significant figures of the resistance and the 11<sup>th</sup> digit is the zeros following;

For the standard resistance values of E-96 series, the 8<sup>th</sup> digit to the 10<sup>th</sup> digits is to denote the significant figures of the resistance and the 11<sup>th</sup> digit is the zeros following.

- 2.4.2 The following number s and the letter codes are to be used to indicate the number of zeros in the 11<sup>th</sup> digit:

0=10<sup>0</sup> 1=10<sup>1</sup> 2=10<sup>2</sup> 3=10<sup>3</sup> 4=10<sup>4</sup> 5=10<sup>5</sup> 6=10<sup>6</sup> J=10<sup>-1</sup> K=10<sup>-2</sup> L=10<sup>-3</sup> M=10<sup>-4</sup> N=10<sup>-5</sup> P=10<sup>-6</sup>

- 2.4.3 The 12<sup>th</sup>, 13<sup>th</sup> & 14<sup>th</sup> digits.

The 12<sup>th</sup> digit is to denote the Packaging Type with the following codes:

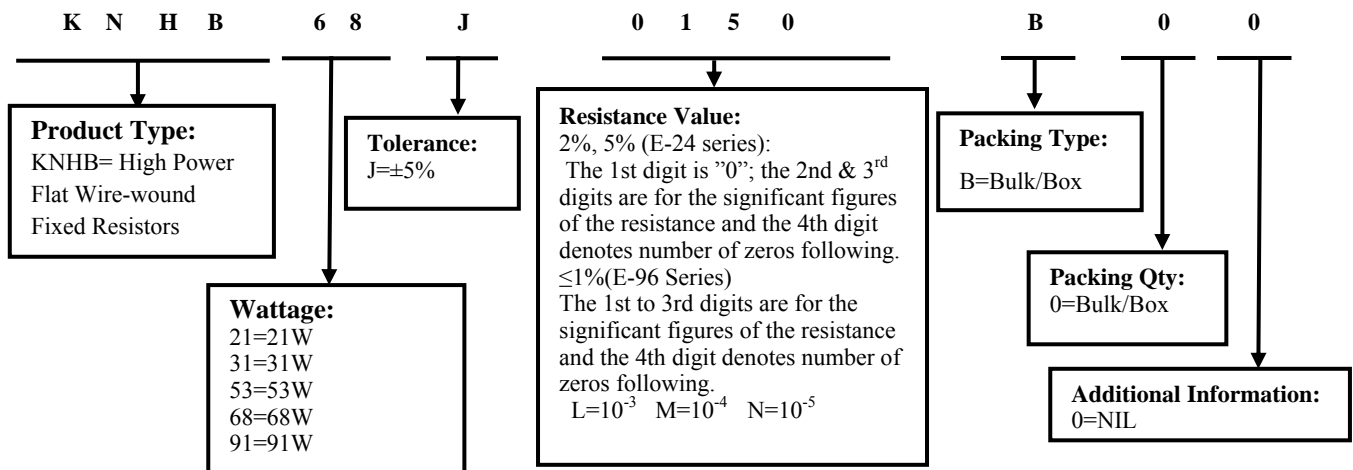
B=Bulk /Box

- 2.4.4 Current Sense Resistors, The 13<sup>th</sup> digit should be filled with “0”

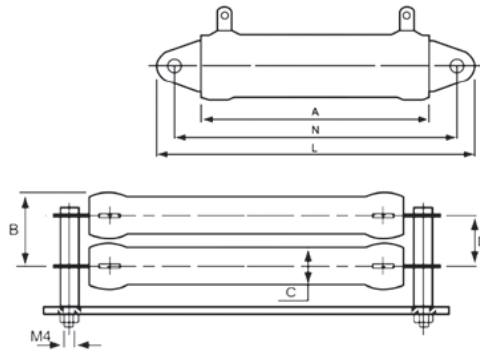
- 2.4.5 Current Sense Resistors, The 14<sup>th</sup> digit should be filled with “0”

## 3. Ordering Procedure

(Example: KNHB 68W ±5% 15Ω B/B)



## 4. Dimension

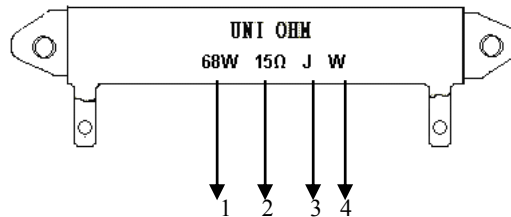


Unit:mm

Type	A±2	B±1	C±0.5	D±1	L±1	N±2
KNHB21W	32	19	12	14	68	51
KNHB31W	51	19	12	14	87	70
KNHB53W	90	19	12	14	126	109
KNHB68W	120	19	12	14	156	140
KNHB91W	153	19	12	14	189	173

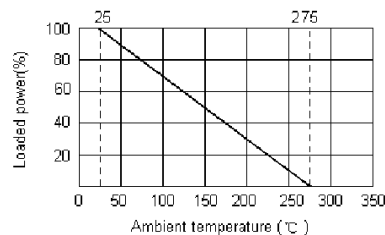
\*Remark: For further information, please contact our sales team.

## 5. Resistor marked



1. Wattage Rate
2. Nominal Resistance Value
3. Resistance Tolerance. J: ± 5%  
K: ± 10%
4. Pattern: M: Power Film  
W: Wire Wound  
Color of marking: Black Ink

## 6. Derating Curve



### 6.1 Voltage rating:

Resistors shall have a rated direct-current (DC) continuous working voltage or an approximate sine-wave root-mean-square (RMS) alternating-current (AC) continuous working voltage at commercial-line frequency and waveform corresponding to the power rating, as determined from the following formula:

$$RCWV = \sqrt{P \times R}$$

Where: RCWV = rated dc or RMS ac continuous working voltage at commercial-line frequency and waveform (VOLT.)

P = power rating (WATT.)

R = nominal resistance (OHM)

**7. Performance Specification**

Characteristic	Limits	Test method (GB/T 5729&JIS-C-5201&IEC60115-1)
Temperature Coefficient	±350PPM/°C	4.8 Natural resistance changes per temp. Degree centigrade $\frac{R_2 - R_1}{R_1(t_2 - t_1)} \times 10^6 \text{ (PPM/°C)}$ R <sub>1</sub> : Resistance Value at room temperature (t <sub>1</sub> ) ; R <sub>2</sub> : Resistance at test temperature (Upper limit temperature or Lower limit temperature) t <sub>1</sub> : +25°C or specified room temperature t <sub>2</sub> : Upper limit temperature or Lower limit temperature test temperature
Short-time Over load	Resistance change rate is: ±(5%+0.05Ω)max. With no evidence of mechanical damage.	4.13 permanent resistance changes after the application of a potential of 2.5 times RCWV or the max. Overload voltage respectively specified in the above list, whichever less for 5 seconds.
Solder ability	95% coverage min.	4.17 the area covered with a new, smooth, clean, shiny and continuous surface free from concentrated pinholes. Test temp. Of solder: 245°C±5°C dwell time in solder: 3+0.5/-0 seconds.
Humidity (steady state)	Resistance change rate is: ±(5%+0.05Ω)max. With no evidence of mechanical damage.	4.24 temporary resistance changes after a 240 hours exposure in a humidity test chamber controlled at 40°C±20°C and 90 to 95% relative humidity.
Load life	Resistance change rate is: ±(5%+0.05Ω)max. With no evidence of mechanical damage.	7.10 permanent resistance change after 1,000 hours operating at RCWV with duty cycle of 1.5 hours "ON", 0.5 hour "OFF" at 25°C ± 2°C ambient.

**8. Note**

8.1. UNI-ROYAL recommend products store in warehouse with temperature between 15 to 35°C under humidity between 25 to 75%RH.

Even under storage conditions recommended above, solder ability of products will be degraded stored over 1 year old.

8.2. Cartons must be placed in correct direction which indicated on carton, otherwise the reel or wire will be deformed.

8.3. Storage conditions as below are inappropriate:

- a. Stored in high electrostatic environment
- b. Stored in direct sunshine, rain, snow or condensation.
- c. Exposed to sea wind or corrosive gases, such as Cl<sub>2</sub>, H<sub>2</sub>S, NH<sub>3</sub>, SO<sub>2</sub>, NO<sub>2</sub>, etc.

**9. Record**

Version	Description	Page	Date	Amended by	Checked by
1	First version	1~4	Apr.15, 2019	Haiyan Chen	Yuhua Xu

© Uniroyal Electronics Global Co., Ltd. All rights reserved. Specification herein will be changed at any time without prior notice